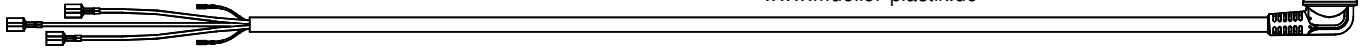


- Konfektionierte Elektroleitungen
- angespritzte Stecker / Gerätedosen
- AUTOMOTIVE Stecker mit integrierten NTC
- Sonderspritzteile
- Werkzeugbau / Konstruktion

D-51688 Wipperfürth-Kupferberg  
Alte Bahnhofstraße 21

Telefon +49 (0) 2267 / 88 40 - 0  
Telefax +49 (0) 2267 / 88 40 - 33  
info@mueller-plastik.de  
www.mueller-plastik.de



## Datasheet

**DS-M09B-02**

Date: 21.02.2020

Created: Mi. Panske

Manufacturer:	Müller Plastik GmbH
Address:	Alte Bahnhofstrasse 21 Germany 51688 Wipperfürth- Kupferberg
Product identification:	<b>M09B</b>
Product description:	molded splash-waterproof angle-safety plug, bipolar with 2 earthing contact systems
Rated voltage:	AC 250 V
Rated current:	16 A
Degree of protection:	IP 44

The designated product complies with the requirements of the following directives:

- DIN VDE 0620-1 : 2010-02 / standard sheet DIN 49441 R2 + DIN 49441-2-AR2
- IEC 60 884-1:2002 (Third edition)
- CEE 7, standard sheet VII

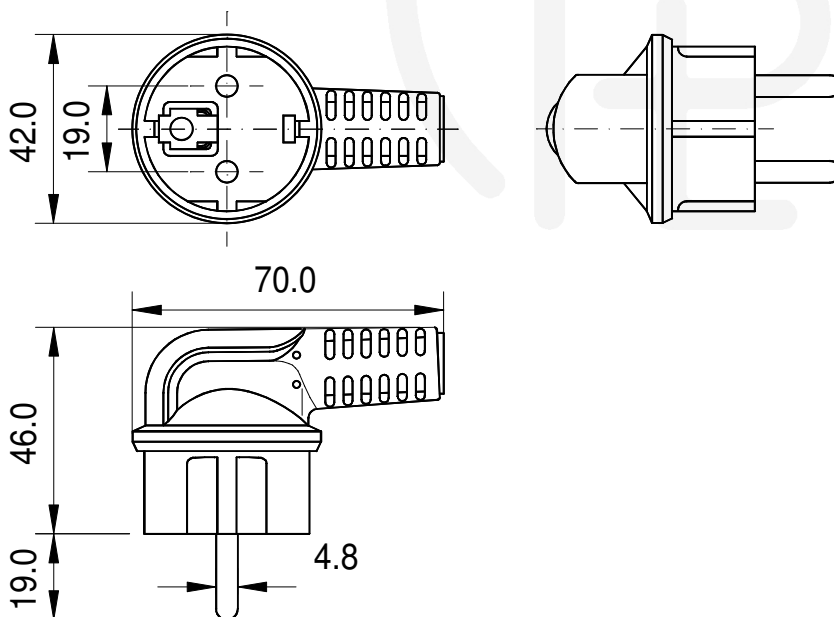
Approval mark:



Company logo:



Dimensions:



Grafic not in original size