

Datasheet

DS-K6A-5 ST-02

Date: 21.02.2020

Created: Mi. Panske

Manufacturer:	Müller Plastik GmbH
Address:	Alte Bahnhofstrasse 21 Germany 51688 Wipperfürth- Kupferberg
Product identification:	K6A-5 ST
Product description:	molded contour-central plug, bipolar <u>without</u> protective earth connection
Rated voltage:	AC 250 V
Rated current:	16 A
Degree of protection:	IP 20

The designated product complies with the the requirements of the following directives:

- DIN VDE 0620-1:2010-02/standard sheet DIN 49406 R
- IEC 60 884-1:2002 (Third edition)
- CEE 7, standard sheet XVII

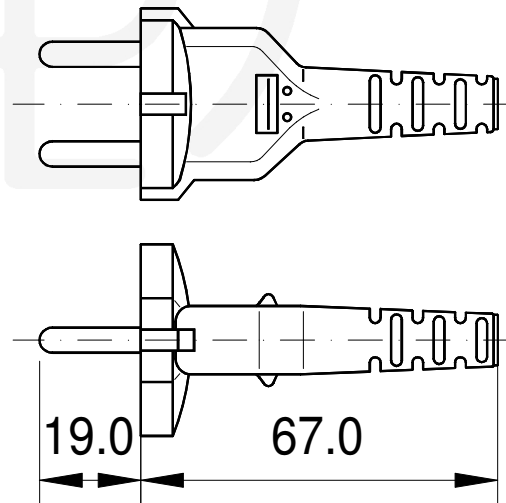
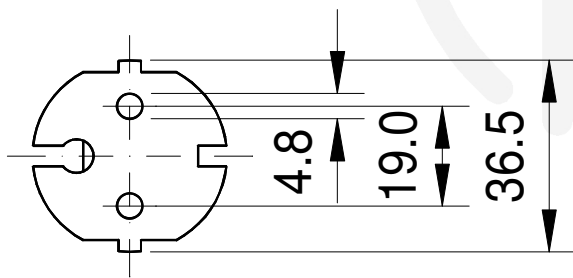
Approval mark:



Company logo:



Dimensions:



Selectable types of cable:

- H05VV-F 2x0,75mm
- H05VV-F 2x1,0mm

Grafic not in original size