

Datasheet

DS-M10EW-00

Date: 21.02.2020

Created: Mi. Panske

Manufacturer:	Müller Plastik GmbH
Address:	Alte Bahnhofstrasse 21 Germany 51688 Wipperfürth- Kupferberg
Product identification:	M10EW
Product description:	molded angle- Europeplug, bipolar <u>without</u> protective earth connection
Rated voltage:	AC 250 V
Rated current:	2,5 A

The designated product complies with the requirements of the following directives:

- EN 50 075: 1990
- DIN 49464 F
- CEE 7, standard sheet XVI

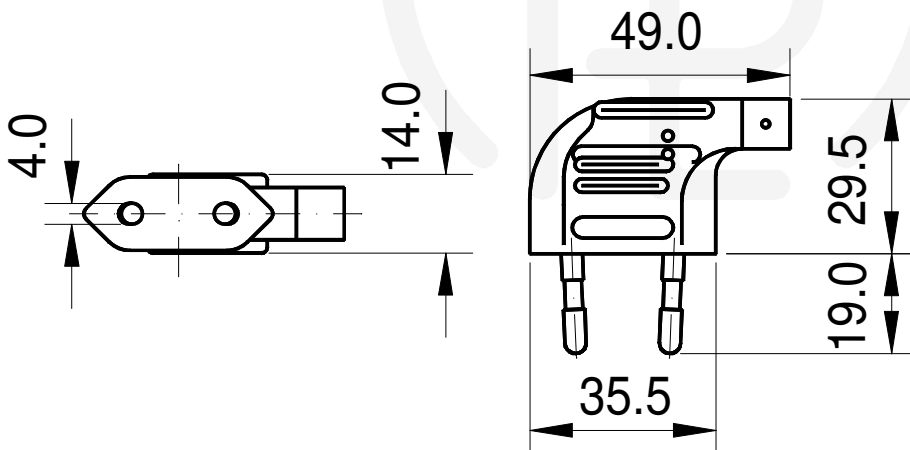
Approval mark:



Company logo:



Dimensions:



Grafic not in original size