

## Datasheet

**DS-K03-S-03**

Date: 21.02.2020

Created: Mi. Panske

Manufacturer:	Müller Plastik GmbH
Address:	Alte Bahnhofstrasse 21 Germany 51688 Wipperfürth- Kupferberg
Product identification:	<b>K03-S</b>
Product description:	molded, splash water-proof central-coupling socket, bipolar with protective earth connection and top cover
Rated voltage:	AC 250 V
Rated current:	16 A
Degree of protection:	IP 44

The designated product complies with the requirements of the following directives:

- IEC 60884-1:2002 + A1:2006 + A2:2013
- DIN VDE 0620-2-1:2013/standard sheet DIN 49440-2-D
- NEN 1020:1987 + A2:2004
- CEE 7, standard sheet III

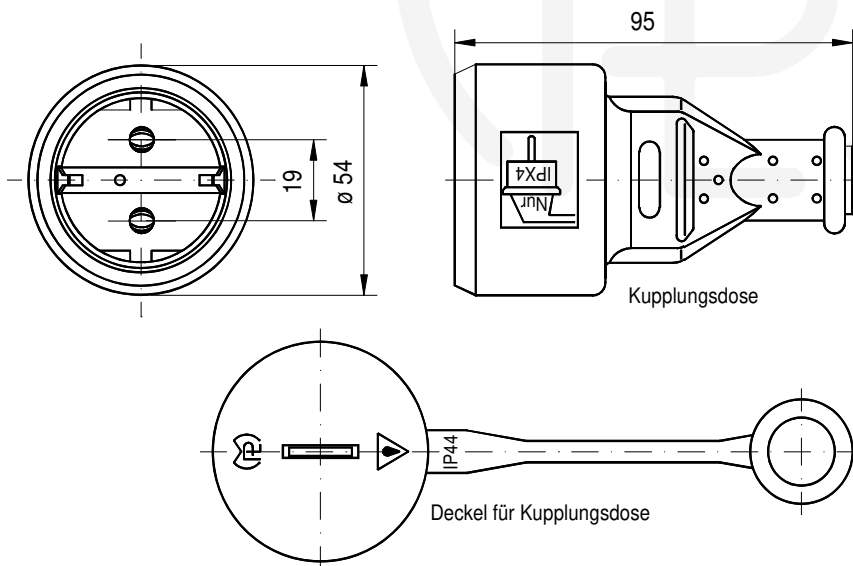
Approval mark:



Company logo:



Dimensions:



Grafic not in original size