

Datasheet

DS-K7A-1WL-00

Date: 21.02.2020

Created: Mi. Panske

Manufacturer:	Müller Plastik GmbH
Address:	Alte Bahnhofstrasse 21 Germany 51688 Wipperfürth- Kupferberg
Product identification:	K7A-1WL (left angled)
Product description:	molded angle-“cold”-appliance plug, bipolar with protective earth connection
Rated voltage:	AC 250 V
Rated current:	10 A
Max. pin temperature:	70°C

The designated product complies with the requirements of the following directives:

- EN 60320-1:2001 / standard sheet C13

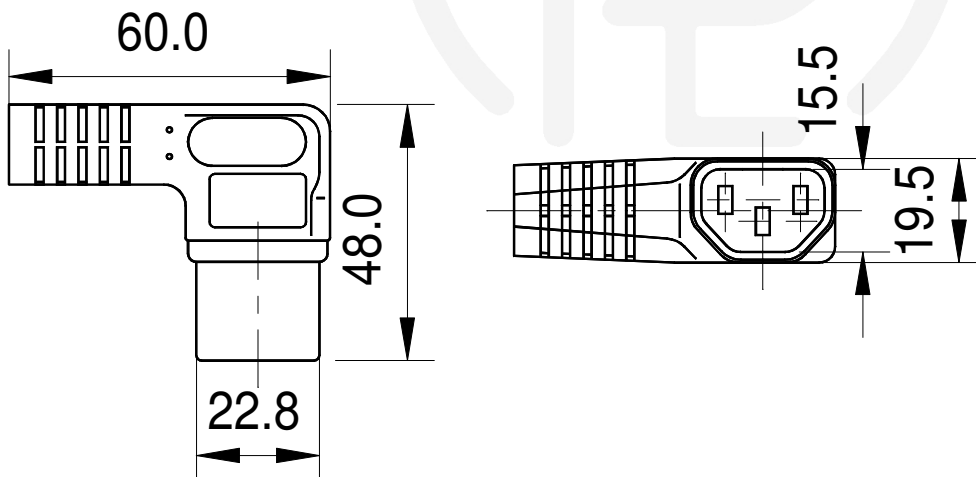
Approval mark:



Company logo:



Dimensions:



Grafic not in original size