

Datasheet

DS-K03 L-02

Date: 21.02.2020

Created: Mi. Panske

Manufacturer:	Müller Plastik GmbH
Address:	Alte Bahnhofstrasse 21 Germany 51688 Wipperfürth- Kupferberg
Product identification:	K03/L
Product description:	molded central-coupling socket, bipolar with protective earth connection and <u>shutter</u> (!)
Rated voltage:	AC 250 V
Rated current:	16 A
Degree of protection:	IP 20

The designated product complies with the requirements of the following directives:

- IEC 60884-1:2002 + A1:2006 + A2:2013
- DIN VDE 0620-2-1:2013/ standard sheet DIN 49440
- NEN 1020:1987 + A2:2004
- CEE 7, standard sheet III

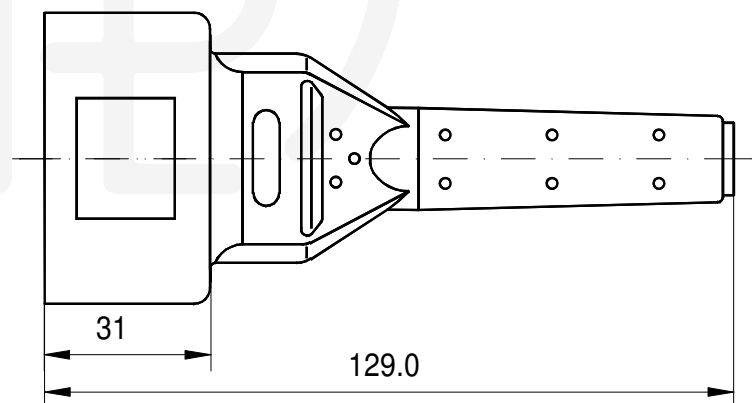
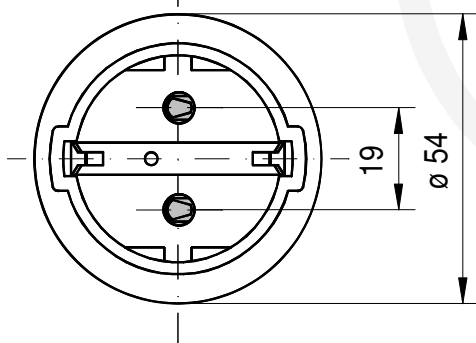
Approval mark:



Company logo:



Dimensions:



Grafic not in original size