

## Datasheet

**DS-M110.4-02**

Date: 21.02.2020

Created: Mi. Panske

Manufacturer:	Müller Plastik GmbH
Address:	Alte Bahnhofstrasse 21 Germany 51688 Wipperfürth- Kupferberg
Product identification:	<b>M110.4</b>
Product description:	industry plug 16A, 230V,4h, 2P+N+PE, yellow
<b>Connection type:</b>	<b>Crimpconnection (irreversibly)</b>
<b>Plug construction type:</b>	<b>Plug is completely molded (irreversibly)</b>
Isolation voltage:	AC 500 V
Rated voltage:	110-130 V
Rated current:	16 A
Number of poles:	2P + PE
Construction type:	standard sheet 2-II
Degree of protection:	IP 44

The designated product complies with the requirements of the following directives:

- DIN EN 60 309- 1:1999, EN 60309-1:1999 + A1:2007 + A2:2012
- DIN EN 60 309- 2:1999, EN 60309-2:1999 + A1:2007 + A2:2012

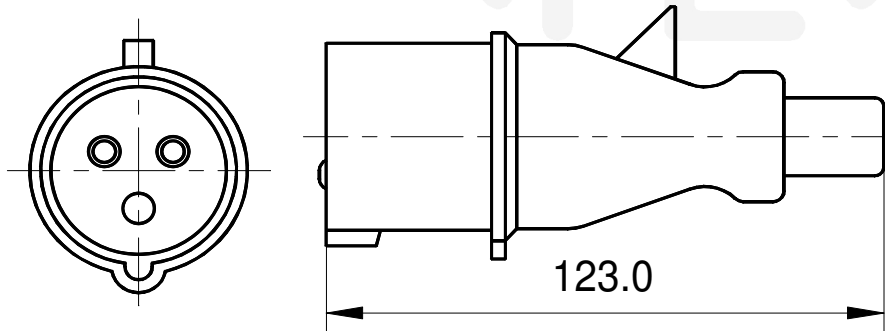
Approval mark:



Company logo:



Dimensions:



Grafic not in original size