

Datasheet

DS-M01B-01

Date: 21.02.2020

Created: Mi. Panske

Manufacturer:	Müller Plastik GmbH
Address:	Alte Bahnhofstrasse 21 Germany 51688 Wipperfürth- Kupferberg
Product identification:	M01 B
Product description:	molded central-safety plug, bipolar with 2 earthing contact systems
Rated voltage:	AC 250 V
Rated current:	16 A
Degree of protection:	IP 20

The designated product complies with the requirements of the following directives:

- DIN VDE 0620-1 : 2010-02 / standard sheet DIN 49441 R2
- IEC 60 884-1:2002 (Third edition)
- CEE 7, standard sheet VII

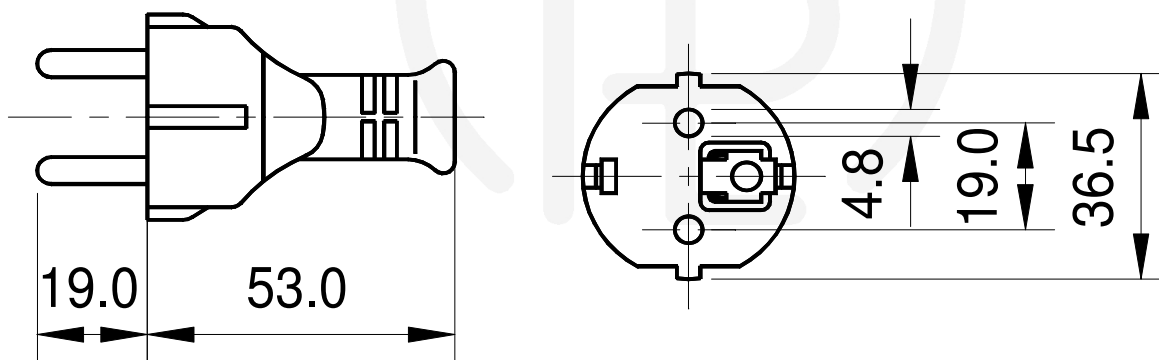
Approval mark:



Company logo:



Dimensions:



Grafic not in original size