

## Datasheet

**DS-BP2-01**

Date: 21.02.2020

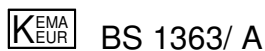
Created: Mi. Panske

Manufacturer:	Müller Plastik GmbH
Address:	Alte Bahnhofstrasse 21 Germany 51688 Wipperfürth- Kupferberg
Product identification:	<b>BP2</b>
Product description:	molded England-plug (BS-plug), bipolar <u>without</u> protective earth connection
Rated voltage:	AC 250 V
Rated current:	13 A
Selectable fuse sizes:	3, 5, 10 or 13 A according to BS1362

The designated product complies with the requirements of the following directives:

- BS 1363: PART 1 : 1995

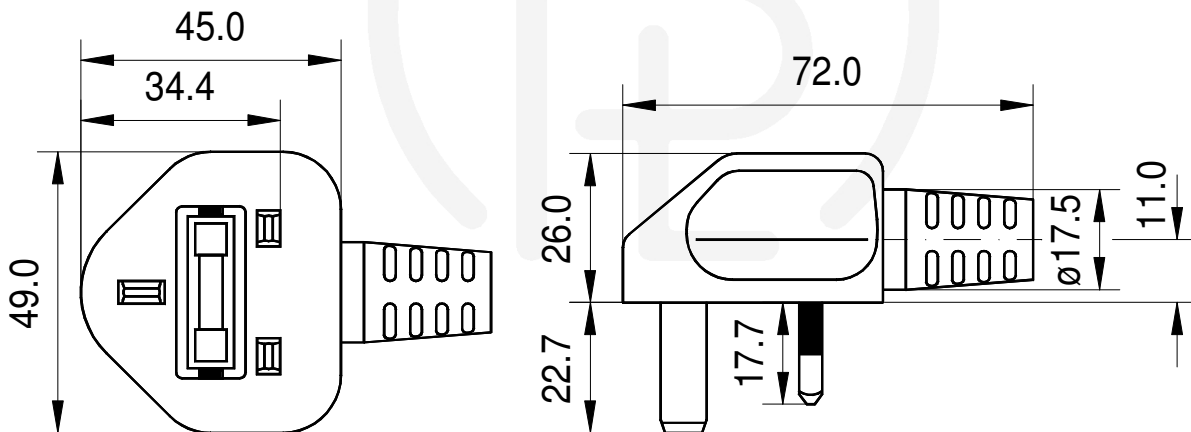
Approval mark:



Company logo:



Dimensions:



Grafic not in original size