

Datasheet

DS-M016.6.P-00

Date: 21.02.2020

Created: Mi. Panske

Manufacturer:	Müller Plastik GmbH
Address:	Alte Bahnhofstrasse 21 Germany 51688 Wipperfürth- Kupferberg
Product identification:	M016.6.P
Product description:	industry plug with <u>phase inverters</u> 16A, 400V, 6h, 3P+N+PE, red
Type of connection:	Crimconnection (irreversibly)
Plug-construction type:	Case + plug socket locked (irreversibly)
Isolation voltage:	AC 500 V
Rated voltage:	230 / 400 V
Rated current:	16 A
Number of poles:	3P+N+PE
Construction type:	standard sheet 2-II
Degree of protection:	IP 44

The designated product complies with the requirements of the following directives:

- DIN EN 60 309- 1 (VDE 0623 Part 1) : EN 60309-1:1999
- DIN EN 60 309- 2 (VDE 0623 Part 1) : EN 60309-2: 1999
- DIN EN 60 309- 1/A11 (VDE 0623 Part 1/A11) : EN 60309-1.1999/A11 :2004
- DIN EN 60 309- 2/A11 (VDE 0623 Part 20/A11) : EN 60309-2 :1999/A11 :2004

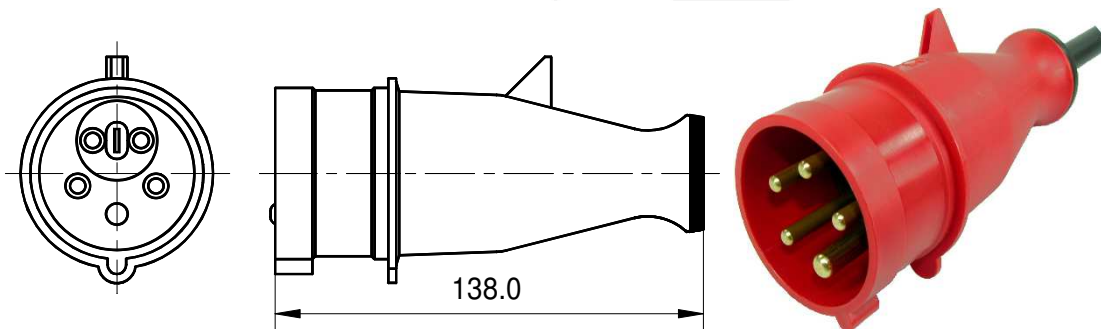
Approval mark:



Company logo:



Dimensions:



Grafic not in original size