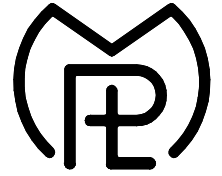


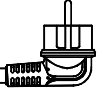
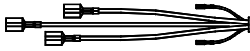
Müller Plastik GmbH



- Konfektionierte Elektroleitungen
- angespritzte Stecker / Gerätedosen
- AUTOMOTIVE Stecker mit integrierten NTC
- Sonderspritzteile
- Werkzeugbau / Konstruktion

D-51688 Wipperfürth-Kupferberg
Alte Bahnhofstraße 21

Telefon +49 (0) 2267 / 88 40 - 0
Telefax +49 (0) 2267 / 88 40 - 33
info@mueller-plastik.de
www.mueller-plastik.de



Datasheet

DS-W7A-1W-00

Date: 21.02.2020

Created: Mi. Panske

Manufacturer:	Müller Plastik GmbH
Address:	Alte Bahnhofstrasse 21 Germany 51688 Wipperfürth- Kupferberg
Product identification:	W7A-1W
Product description:	molded angle- central- "warm"- appliance plug, bipolar with protective earth connection
Rated voltage:	AC 250 V
Rated current:	10 A
Max. pin temperature:	120°C

The designated product complies with the requirements of the following directives:

- EN 60320-1:2001 / standard sheet C15

Approval mark:

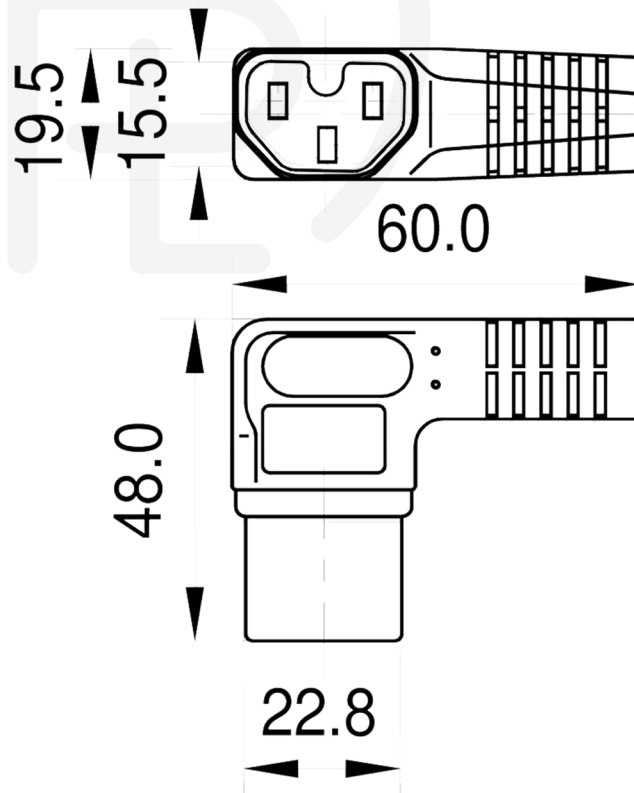


Company logo:



Dimensions:

Grafic not in original size



Technical details are subject to changes