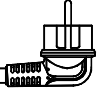
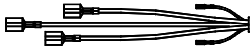




- Konfektionierte Elektroleitungen
- angespritzte Stecker / Gerätedosen
- AUTOMOTIVE Stecker mit integrierten NTC
- Sonderspritzteile
- Werkzeugbau / Konstruktion

D-51688 Wipperfürth-Kupferberg  
Alte Bahnhofstraße 21

Telefon +49 (0) 2267 / 88 40 - 0  
Telefax +49 (0) 2267 / 88 40 - 33  
info@mueller-plastik.de  
www.mueller-plastik.de



## Datasheet

**DS-M08B-02**

Date: 21.02.2020

Created: Mi. Panske

Manufacturer:	Müller Plastik GmbH
Address:	Alte Bahnhofstrasse 21 Germany 51688 Wipperfürth- Kupferberg
Product identification:	<b>M08 B</b>
Product description:	molded central-safety plug, bipolar with 2 earthing contact systems splash-waterproof, IP 44
Rated voltage:	AC 250 V
Rated current:	16 A
Degree of protection:	IP 44

The designated product complies with the requirements of the following directives:

- IEC 60 884-1:2002 + A1:2006 + A2:2013
- DIN VDE 0620-2-1:2013 / standard sheet DIN 49441 R2 + DIN 49441-2-AR2
- NEN 1020:1987 + A2:2004
- NF C61-314:2008 + A1:2010
- CEE 7, standard sheet VII

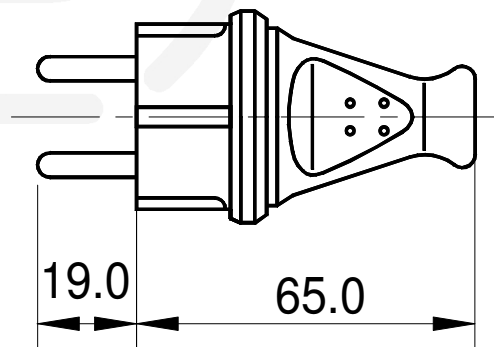
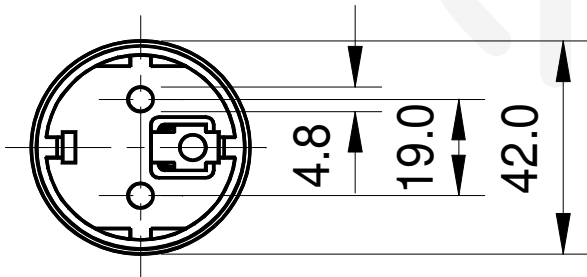
Approval mark:



Company logo:



Dimensions:



Grafic not in original size