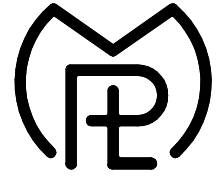


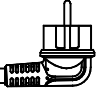
# Müller Plastik GmbH



- Konfektionierte Elektroleitungen
- angespritzte Stecker / Gerätedosen
- AUTOMOTIVE Stecker mit integrierten NTC
- Sonderspritzteile
- Werkzeugbau / Konstruktion

D-51688 Wipperfürth-Kupferberg  
Alte Bahnhofstraße 21

Telefon +49 (0) 2267 / 88 40 - 0  
Telefax +49 (0) 2267 / 88 40 - 33  
info@mueller-plastik.de  
www.mueller-plastik.de



## Datasheet

**DS-Typ 2 Rev.1**

Date: 17.06.2021

Created: M. Heinrich

Manufacturer: Müller Plastik GmbH  
Address: Alte Bahnhofstrasse 21  
Germany 51688 Wipperfürth- Kupferberg

Product identification: **QC/P** (plug)  
Product description: non-rewirable mounted EV charging plug,

201 (1 phase, 20A) 1P+N+PE+CP  
203 (3 phase, 20A) 3P+N+PE+CP  
301 (1 phase, 32A) 1P+N+PE+CP  
303 (3 phase, 32A) 3P+N+PE+CP

Rated voltage: AC 250 V ~ / 480V ~  
Rated current: 20 A / 32 A  
Degree of protection: IP 44

connected with cable type: H07BZ5-F 3G2,5mm<sup>2</sup>+1x0,5mm<sup>2</sup>  
H07BZ5-F 5G2.5mm<sup>2</sup>+1x0.5mm<sup>2</sup>  
H07BZ5-F 3G6.0mm<sup>2</sup>+1x0.5mm<sup>2</sup>  
H07BZ5-F 5G6.0mm<sup>2</sup>+1x0.5mm<sup>2</sup>

The product is according to the following standards:

- EN 62196-1:2014, EN 62196-2:2017
- IEC 62196-1:2014, IEC 62196-2:2016

Approval mark:



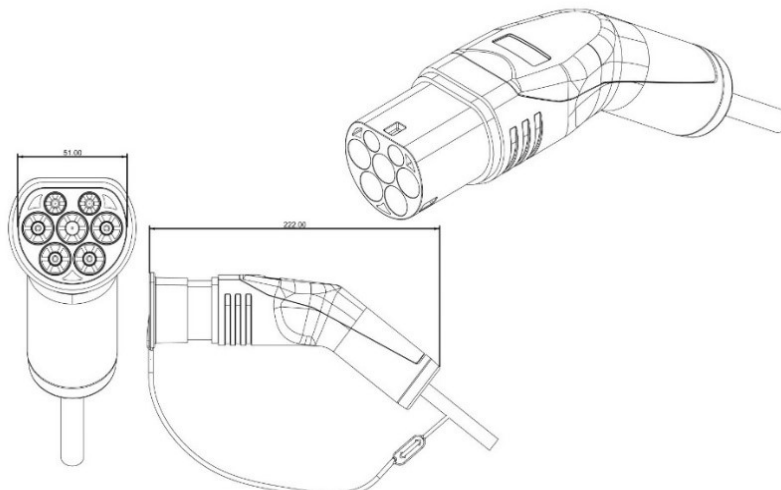
Company logo:



Trade name:

Qcharge

dimensions:



Grafic not in original size